

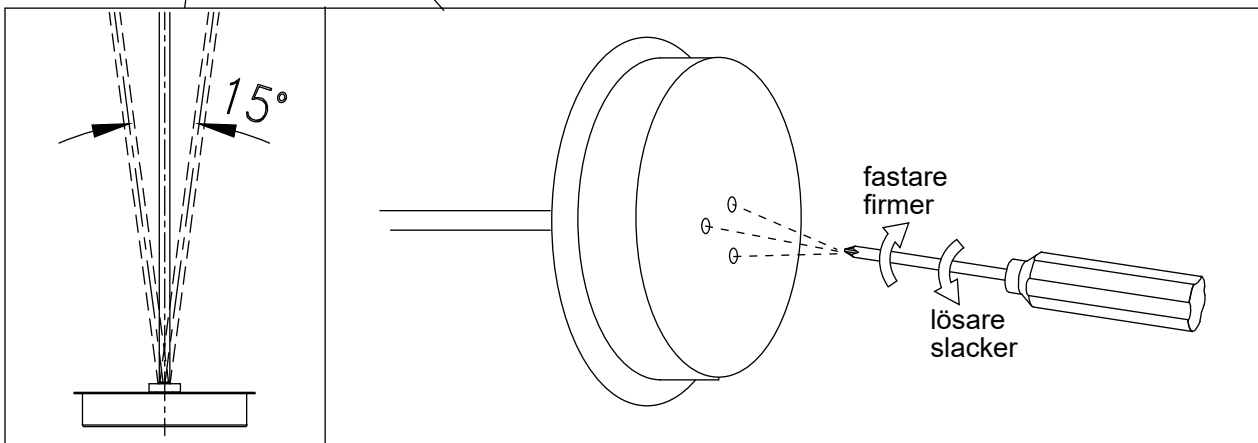
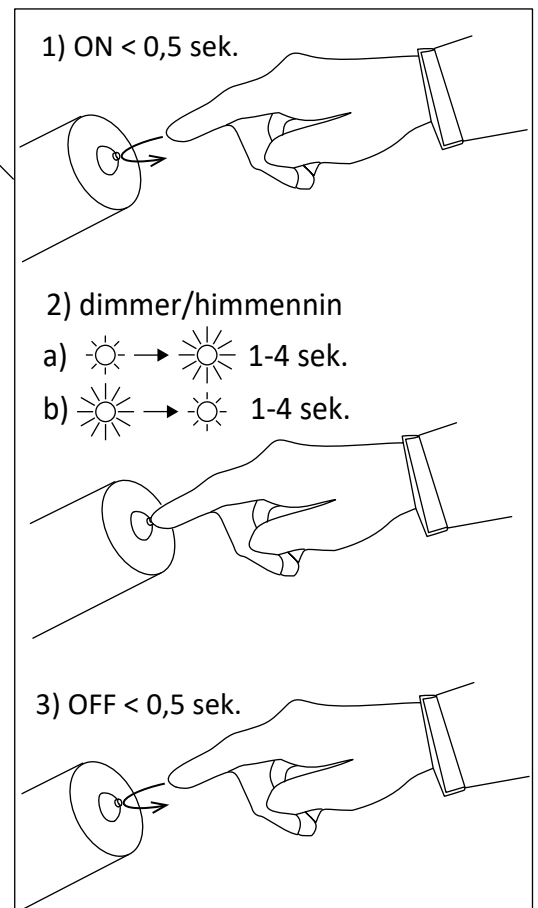
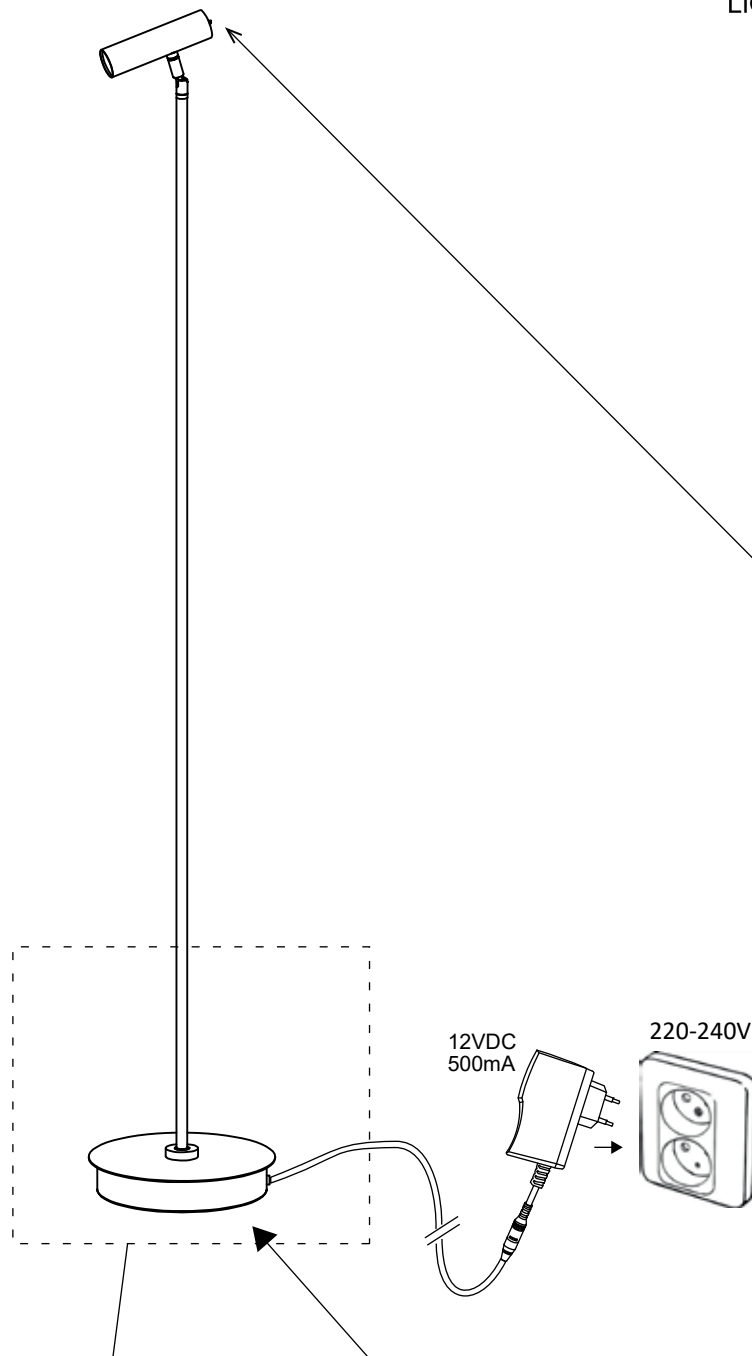
ARTIC 69009

www.aneta.se
www.aneta.no

ANETA

LIGHTING

LIGHTS FOR HOME AND WORK SINCE 1947



SE: Denna produkt innehåller en ljuskälla med energieffektivitetsklass E.
Ljuskällan är utbytbar som reservdel.

NO: Dette produktet inneholder en lyskilde med energieffektivitetsklasse E.
Diodelyskilden kan skiftes som reservdel.

FI: Tämä tuote sisältää valonlähteen, jonka energiatehokkuusluokka on E.
LED valolähde vaihdetta vissa, löytyy varaosana.

EN: This product contains a light source of energy efficiency class E.
The LED-chip is exchangeable as a spare part.

Light Source data:

Lighting technology used: LED
Mains or non-mains: non-mains
Directional or non-directional: non-directional
Connected L.S.: no
Color-tuneable: no
Envelope: no
High luminance: no
Anti-glare shield: no
Dimmable: no
Energy consumption in on-mode: ... 6 kWh / 1000 h
Energy efficiency class (A-G): E
Useful luminous flux:..... 670 lm *
CCT colour temperature:..... 3000 K
On-mode power: 5.5 W
Stand-by power: -
Networked standby power: -
CRI: ≥ 80
R9 color rendering index: 2
Chromaticity coordinates (X, Y): 0.438, 0.401
Lifetime $L_{70B_{50}}$: 50 000 hours
Lumen maintenance factor: 0.96
Survival factor: 0,91
Power supply input: 600mA, ~9.15VDC

* The luminous flux stated here is the value for the light source itself in accordance with Regulation (EU) 2019/2015. The luminous flux stated on the packing box is for the lighting fitting, where the light from the light source is partly absorbed by glass/gla-re shield/shade and parts of the fitting, and is therefore lower than for the light source.